

**EXPRESSION OF INTEREST FOR SUPPLY & INSTALLATION OF FURNITURE AND OTHER FITTINGS**  
**ON TURNKEY INSTALLATION BASIS AT CSIR-NEIST, JORHAT -785006, ASSAM**

***Item Name:***

**Furniture and Other Fittings for the First Floor of Engineering Block at CSIR-NEIST, Jorhat, Assam.**

***Place of Installation: CSIR-NEIST, Jorhat-785006, Assam, India.***

**Turn-key installation requirement:**

- The items should be as per the drawings attached with this specifications (wherever applicable)
- The quote should be complete with all the cost of installation
- The bidder should provide the warranty for at least 5 years (standard + extended) and the comparison will also include the additional warranty charge apart from the standard warranty
- The basic ornamental and / or decorative components including colour of the furniture may be decided after awarding the work (within the same cost of the component quoted by the party)
- The fabrication for the selected items to be carried out at our site (CSIR-NEIST) so that quality and dimensioning of the materials used can be ascertained. (For items A1, A4, A5, A6, A7, A8, A9, B1, B3, C1, D1, E1, E6, E7, E8, E9 and E11)
- There should be physical presence of main office / branch office / authorized service provider within the state of the bidders for any type of issues occurring during the standard and extended warranty period, whose physical office address and other details are to be provided in the bid document.
- All input raw materials (lot to lot basis) to be verified by us before putting them into the fabrication of the furniture.
- Necessary certification of each of the raw materials (major) to be used for fabrication and other materials used in the furniture has to be furnished before using the materials or supplying to us.
- All the chair items (Items Number: A2, A3, A10, B2, B4 and C2) should be from most of the reputed brands of the country and the bidder has to mention the make and model of the same in their quote.
- The items of Sl. No D2, E2, E3, E4, E5, E1 and E12 should also be from most reputed brands of the country. While quoting these items, the bidder must mention the make and model of the items quoted. In addition these items should also be covered under the terms and condition of 5 years warranty (standard + extended).

## Technical Specifications:

### **A. For Two numbers of Office Rooms of size (20ft x 15ft) each:**

#### **A.1: L Shaped Office Table as per the attached drawing (Two sets for two rooms)**

|   |   |
|---|---|
| ➤ Dimension:  | Length: 7ft and 5ft in L shape; Width: 3ft and 2ft in L shape; Height: 2.5 ft |
| <ul style="list-style-type: none"><li>➤ To be made up of 19mm BWP ply etc and teak wood frame inside, having CPU stand, keyboard tray drawer unit etc.</li><li>➤ All exterior surfaces to be duly laminated and finished using not less than 1.00 mm laminate with necessary hardware such as handles, wire manager, telescopic drawer slides etc.</li><li>➤ All exposed edges to be finished with 1st quality rubber wood beading which is to be melamine/PU polished and all inside surfaces to be finished with not less than 0.8 mm laminate.</li></ul> |   |

#### **A.2 High back chair (Two nos for two rooms)**

|   |   |
|---|---|
| ➤ Type:   | Quality High Back Chair with powder coated metal frame and revolving wheels |
| <ul style="list-style-type: none"><li>➤ Height from ground level: min. 420 mm; Seat with moulded Ply, PU moulded foam and leather /fabric upholstery; Seat thickness of minimum 60 mm; Moulded ply thickness of min.12mm; Moulded PU foam density: 45-50 kg/m<sup>3</sup>; Space between Handle to Handle: min.440 mm;</li><li>➤ Seat dimension: width: min. 470 mm, depth: min. 480mm.</li><li>➤ Back specification: width: min. 470 mm, height: min. 700 mm; Height from seat top min. 260 mm; Height adjustable up to 80mm or more; Soft PU armrest pad with soft foam plated ms tubular support (min. of 40mm dia.);</li><li>➤ Should have synchro single point locking mechanism, tilt tension adjustment, upright locking;</li><li>➤ SS base and SS pedestal of min. pitch centre diameter of 660 mm (without castor).;</li><li>➤ Castor: Pin type nylon castor of min. 50mm dia.;</li><li>➤ Hydro Lift: Height adjustment up to 100mm., Hydro Lift Cover: three piece telescopic type &amp; black colour in polypropylene.</li></ul> |   |

#### **A.3 Mid back chair (Eight nos in total required)**

|   |  |
|---|--|
| ➤ Type:   | Quality Mid Back Chair with powder coated metal frame and revolving wheels |
| <ul style="list-style-type: none"><li>➤ Back Height From Ground Level: min. 920, Seat Height From Ground Level: min. 450mm., Space between handle to handle: min. 490mm.;</li><li>➤ Seat specification: width: min. 480mm, depth: min. 50mm.;</li><li>➤ Back specification: width: min. 460mm, height: min. 600 mm.;</li><li>➤ Seat specification: Seat with moulded ply, PU moulded foam and leatherite /fabric upholstery, seat thickness of min. 60mm.</li><li>➤ Moulded ply thickness: min. 12mm., PU foam density: 45-50 kg/m<sup>3</sup> .;</li><li>➤ Backrest: Nylon mesh with metal frame; Metal black M/S pipe frame.</li><li>➤ Armrest specification: 2D armrest with soft PU armrest pad and M/S tubular support of min. 40 mm diameters.</li><li>➤ Mechanism: Synchro single point locking mechanism, Tilt tension adjustment, upright locking; Height adjustable up to min. 80mm</li><li>➤ Pedestal: SS base pedestal of min. 660mm pitch centre dia. (without castor).</li><li>➤ Castor: Pin type nylon castor of min. 50mm diameter;</li><li>➤ Hydro Lift: Height adjustment up to 100mm, Hydro Lift Cover: three piece telescopic type &amp; black colour in polypropylene.</li></ul> |  |

#### **A.4 Sofa set of 3+2 seater type as per the attached drawing (Two sets for two rooms)**

|  |   |
|--|---|
| ➤ Type:  | 3+2 seater type Sofa set with not less than 8 ft length for the 3 seater and not less than 7.5 ft length for the 2 seater |
| <ul style="list-style-type: none"><li>➤ Providing and fixing of Sofa (3+2) seater with arms and framing of teak wood with SS legs;</li></ul> |   |

|  |
|--|
| <ul style="list-style-type: none"> <li>➤ ½'' x 2 ½ teak wood and solid ply frame including base spring and belt;</li> <li>➤ Back wood frame of size 2'' x 1½'' of teak wood on which heavy duty PVC belt can be fixed;</li> <li>➤ Jute or cloth fabric or leatherite of A grade, cushion of min. 40 gsm density or foam of min. 38 gsm density with steel legs</li> <li>➤ Soft foam sheet and back or pillows sample and of matching colour</li> </ul> |
|--|

**A.5 Centre Table as per the attached drawing (Two sets for two rooms)**

|  |   |
|--|---|
| ➤ Type:  | Centre Table with wooded base and glass top |
| <ul style="list-style-type: none"> <li>➤ Providing and fixing teak wood centre table with top Glass of min. 12 mm thickness</li> <li>➤ Base frame should be made of teak wood and as per the design</li> <li>➤ Base leg size should not be less than 2'' x 6' and finished with PU and melamine</li> </ul> |   |

**A.6 Wooden Almirah as per the attached drawing (Four numbers for two rooms)**

|   |  |
|---|--|
| ➤ Type:   | Wooden type of Almirah with other glass and metal fittings as per the drawings |
| <ul style="list-style-type: none"> <li>➤ Providing and fixing box type wardrobes of 24" depth made out of min. 19 mm thick BWP ply board waterproof ISI marked the shutter made out of min. 19 mm thick BWP ply board waterproof ISI marked;</li> <li>➤ 2 nos. of drawers with soft lock telescopic heavy duty ISI marked inside cover by min. 1 mm thick laminated and necessary hardware fitting of metals and glass</li> </ul> |  |

**A.7 File Cabinet as per the attached drawing (Four numbers for two rooms)**

|   |   |
|---|---|
| ➤ Type:   | Wooden type of File cabinet with other metal fittings as per the drawings |
| <ul style="list-style-type: none"> <li>➤ Providing filling cabinet of min. height of 4' 10" high.</li> <li>➤ The top, bottom, sides, openable shutters and intermediate shelves of the cabinet are to be made from min. of 19 mm. board and the rear of the cabinet to be closed with min. of 6 mm ply.</li> <li>➤ The cabinets have to be divided in parts with min. of 19 mm board vertically placed inside.</li> <li>➤ All the exposed faces are to be provided with min. of 1.00 mm. thick laminated sheet whereas the interior faces are to be fixed with min. of 0.8 mm liner laminates.</li> <li>➤ The exposed edges are to be fixed with edge bending.</li> </ul> |   |

**A.8 Book Shelf as per the attached drawing (Four numbers for two rooms)**

|   |   |
|---|---|
| ➤ Type:   | Wooden type of Book Shelf with other fittings as per the drawings |
| <ul style="list-style-type: none"> <li>➤ Providing and fixing of book shelf with teak wood frame of height of 6 ft and 8 inch and width of min. 1 ft and 7 inch</li> <li>➤ Complete with the all required fittings</li> </ul> |   |

**A.9 Desk for assistant as per the attached drawing (Four numbers required in total)**

|  |   |
|--|---|
| ➤ Type:  | Wooden type of desk with other fittings as per the drawings |
| <ul style="list-style-type: none"> <li>➤ Providing and fixing tables of specified sizes (5'-7" x 2'-6" x 2'-6") to be made up of min 19mm BWP ply etc. with teak wood frame as per the attached drawing with the best quality hardware;</li> <li>➤ Should have CPU stand, a keyboard tray drawer unit etc.</li> <li>➤ All exterior surfaces to be duly laminated and finished using min. 1.00 mm laminate with necessary hardware such as handles, wire manager, telescopic drawer slides etc. as per design.</li> <li>➤ All exposed edges to be finished with edge bending or melamine polished and all inside surfaces to be finished with min. of 0.8 mm liner laminate.</li> </ul> |   |

**A.10 Chair for assistant (Eight numbers in total required)**

|         |  |
|---------|--|
| ➤ Type: | Chairs for visitors in assistant table |
|---------|--|

|   |
|---|
| <ul style="list-style-type: none"> <li>➤ Providing and fixing of office chair with back height from ground level: min. 900mm.; Seat height from ground level: min. 450mm.; Space between handle to handle: min. 490mm.;</li> <li>➤ Seat specification: width: min. 480mm, depth: min. 490mm.</li> <li>➤ Back specification: width: min. 460mm, height: min. 600mm.</li> <li>➤ Seat specification: Seat with moulded ply, PU moulded foam and leatherite /fabric upholstery; Seat thickness of min. 60mm. Moulded ply thickness: min. 12mm.</li> <li>➤ PU foam density: 45-50 kg/m<sup>3</sup>.</li> <li>➤ Backrest: back should be made up of min. 1.2 cm thick hot pressed plywood, upholstered with fabric and moulded Polyurethane foam with PVC lapping all around; the back foam is designed with contoured lumbar support for extra comfort.</li> <li>➤ Armrest: 2D armrest with soft PU armrest pad with chrome plated MS tubular support (min. 40mm dia.).</li> <li>➤ Height from seat top min. 260mm; height adjustable up to min 80mm.</li> <li>➤ Mechanism: Synchro single point locking mechanism, tilt tension adjustment, upright locking.</li> <li>➤ Pedestal: PP base pedestal with min. 660mm pitch centre dia. (without castor);</li> <li>➤ Castor: Pin type nylon castor with min. 50mm dia.</li> <li>➤ Hydraulic Lift: Height adjustment up to 100mm. and hydraulic lift cover: three piece telescopic type &amp; black colour in polypropylene.</li> </ul> |
|---|

**B. For Two numbers of Class Rooms of size (20ft x 49ft each):**

**B.1 Classroom desk for students as per the attached drawing (36 numbers of total required)**

|  |  |
|--|--|
| ➤ Type:  | Classroom desk for students setting arrangement with other fittings as per the attached drawings |
| <ul style="list-style-type: none"> <li>➤ Classroom desk with top length of 8'6"; top width of 24"; top thickness of min. 19 mm; table with top height of 30"</li> <li>➤ Table shelf made by min. 19mm BWP Ply ; table structure to be made of pipe of min. size (1"x1"), supporting pipe of min. size (1"x1") with powder coating;</li> <li>➤ Table top made by BWP of min. 19mm BB with both side mica of min. 1mm lamination;</li> <li>➤ Front cover with min. of 19 mm BB with min. of 1 mm laminates up to 24" from top</li> </ul> |  |

**B.2 Classroom chairs for students (144 numbers of total required)**

|   |  |
|---|--|
| ➤ Type:   | Classroom chairs for students compatible with the classroom desk arrangement mentioned in B.1 above. |
| <ul style="list-style-type: none"> <li>➤ The seat and back should be made up of min. 1.2 cm thick hot pressed plywood, upholstered with fabric and moulded Polyurethane foam with PVC lapping all around. The back foam should be designed with contoured lumbar support for extra comfort.</li> <li>➤ Minimum back size: 49.0cm. (w) x 47.0cm. (h)</li> <li>➤ Minimum seat size: 49.0cm. (w) x 44.0cm. (d)</li> <li>➤ The polyurethane foam is moulded with density of 45 +/- 2 kg/m<sup>3</sup> and should be Hampden machine tested at 25% compression.</li> <li>➤ The tubular frame should be cantilever type &amp; made of M.S. and E.R.W. black powder coated tube with minimum dia. of 1".</li> <li>➤ The armrest tube should be of min. diameter of 1" and made of M.S. and E.R.W. tube and should be welded to mainframe.</li> <li>➤ The armrests should be made from chemically treated &amp; seasoned wood with black melamine polish</li> </ul> |  |

**B.3 Four Seater Dias Desk as per the attached drawing (Three numbers in total required)**

|  |  |
|--|--|
| ➤ Type:  | Four seater wooden type dias desk for class room |
| <ul style="list-style-type: none"> <li>➤ 4 (four) seater dias desk of length 118"; top width of 18"; top Thickness of min. 18 mm; table with top height of 30";</li> </ul> |  |

- Table structure specification: Main frame should be of teak wood of min. size 2"x2"; supporting frame should be of teak wood of min. size 2"x1"
- Table top made by BWP of min. 19mm BB with both side mica of min. 1mm lamination.

#### **B.4 High back chair for the classroom dias (12 nos in total required)**

|  |   |
|--|---|
| ➤ Type:  | Quality High Back Chair with powder coated metal frame and revolving wheels |
| <ul style="list-style-type: none"> <li>➤ Height from ground level: min. 420 mm; Seat with moulded Ply, PU moulded foam and leather /fabric upholstery; Seat thickness of minimum 60 mm; Moulded ply thickness of min.12mm; Moulded PU foam density: 45-50 kg/m<sup>3</sup>; Space between Handle to Handle: min.440 mm;</li> <li>➤ Seat dimension: width: min. 470 mm, depth: min. 480mm.</li> <li>➤ Back specification: width: min. 470 mm, height: min. 700 mm; Height from seat top min. 260 mm; Height adjustable up to 80mm or more; Soft PU armrest pad with soft foam plated ms tubular support (min. of 40mm dia.);</li> <li>➤ Should have synchro single point locking mechanism, tilt tension adjustment, upright locking;</li> <li>➤ SS base and SS pedestal of min. pitch centre diameter of 660 mm (without castor);</li> <li>➤ Castor: Pin type nylon castor of min. 50mm dia.;</li> <li>➤ Hydro Lift: Height adjustment up to 100mm., Hydro Lift Cover: three piece telescopic type &amp; black colour in polypropylene.</li> </ul> |   |

#### **C. For the two numbers of round table conference rooms of size (20ft x 26ft):**

##### **C.1 Wooden round conference table as per the attached drawing (Eight numbers in total required)**

|  |  |
|--|--|
| ➤ Type:  | Wooden type round conference table as per the attached drawing |
| <ul style="list-style-type: none"> <li>➤ Table base with diameter of 5 feet and 11 inch made of solid teak wood of min. size 3"x 1'2" fitted with min. of 19mm BWP board with ISI marked</li> <li>➤ Table top with teak veneer of min. 3.5mm thickness.</li> </ul> |  |

##### **C.2 Chairs for round conference rooms (Forty Eight numbers in total required)**

|  |   |
|--|---|
| ➤ Type:  | Office chairs for the round table conference room |
| <ul style="list-style-type: none"> <li>➤ Providing and fixing of office chair with back height from ground level: 900±20mm.; seat height from ground level: 450mm.; space between handle to handle: min. 490.</li> <li>➤ Seat specification: width: min. 480mm, depth: min. 490mm.</li> <li>➤ Back specification: width: min. 460mm, height: min 600mm.</li> <li>➤ Seat specification: seat with moulded ply, PU moulded foam and leatherite/ fabric upholstery, seat thickness of min. 60mm; Moulded ply thickness: min. 12mm.; PU foam density: 45-50 kg/m<sup>3</sup>.</li> <li>➤ Backrest: back should made up of min. 1.2 cm thick hot pressed plywood, upholstered with fabric and moulded Polyurethane foam with PVC lipping all around; the back foam should designed with contoured lumbar support for extra comfort.</li> <li>➤ Armrest: 2D armrest; soft PU armrest pad with chrome plated MS tubular support (min. 40mm dia.); height from seat top min. 260mm.; height adjustable up to 80mm.; length: min. 260mm, width: min. 90mm.</li> <li>➤ Mechanism: Synchro single point locking mechanism; tilt tension adjustment; upright locking.</li> <li>➤ Pedestal: PP base pedestal of 660mm pitch centre dia. (without castor);</li> <li>➤ Castor: Pin type nylon castor with min. 50mm dia.</li> <li>➤ Hydrailic Lift: Height adjustment up to 100mm. or better; Hydraulic lift cover: three piece telescopic type &amp; black colour in polypropylene.</li> </ul> |   |

**D. Pantry for the room of size (11ft x 20 ft) as per the attached design and drawing:**

**D.1 The wooden and concrete portion of the pantry (As per the attached design and drawing)**

|                         |  |
|-------------------------|--|
| All bottom cabinets     | <ul style="list-style-type: none"><li>➤ Providing and fixing of Bottom Cabinet with min. of 19 mm water proof Solid Ply along with min. of 0.8 mm laminate inside. The shutters should be of the same BWP, and with min. of 0.8 mm inside laminate; while on the outside it should be of min. 1mm laminate of glossy finish and edge band of min. 5mm.</li><li>➤ The hinges should be of 'O' Crank and should be of international standards.</li><li>➤ The shelf should be of adjustable type and with two slots spacing as per the enclosed drawing.</li><li>➤ The plywood should be of min. thickness of 19mm Boiling Water Proof plywood (BWP) with min. of 0.8 mm laminate on top and bottom with machine cut edge band of min. 0.5mm thickness</li></ul>  |
| All overhead wall units | <ul style="list-style-type: none"><li>➤ Providing and fixing of kitchen over head wall unit with head unit depth spacing as per drawing</li><li>➤ Should be fabricated with min. 19mm Boiling Water Proof plywood (BWP) with min. 0.8 mm laminate inside;</li><li>➤ The shutters should also be with min. 19mm BWP, and with min. 0.8 mm inside laminate while on the outside it should be min. 1mm laminate of glossy finish and edge band of min. 5mm.</li><li>➤ The hinges should be of 'O' Crank which must be of international standards</li><li>➤ The shelf is to be adjustable with two slots spacing as per drawing</li><li>➤ The plywood should be of min. thickness of 19mm Boiling Water Proof plywood (BWP) with min. 0.8 mm laminate on top and bottom with Machine Cut edge band of min. 0.5mm thickness</li></ul> |
| Concrete construction   | <ul style="list-style-type: none"><li>➤ Construction of RCC slab from existing brick walls by means of insertion of reinforcement on brick wall by drilling holes using rebar.</li><li>➤ Size of the Slab should be of min. 75mm thickness, 2' in width and length as per the drawings</li><li>➤ Minimum of 18 mm granite slap should be fixed over the RCC slab with complete finishing and with all other accessories of international quality.</li></ul>  |

**D.2 Other accessories for the pantry:**

|  |
|--|
| <ul style="list-style-type: none"><li>➤ Cutlery basket of min. size (530mm x 510mm x 100mm): one unit;</li><li>➤ Cup &amp; Saucer basket of min. size (380mm x 510mm x 100mm): one unit;</li><li>➤ Plate (Thali) basket of size (530mm x 510mm x 150mm): one unit;</li><li>➤ Plain basket of size (380mm x 510mm x 150mm) and (530mm x 510mm x 200mm): one unit each;</li><li>➤ Detergent holder of size (380mm x 510mm x 200mm): one unit;</li><li>➤ Should complete with telescopic drawer channels; Grocery baskets &amp; dustbin holders: One each;</li><li>➤ Gas cylinder Corner Clipper; Tripple Burner Hob with separate control nobs (electric ignition type) with accessories like cylinder trolley etc (One complete unit);</li><li>➤ R.O 20 Ltr water purifier with hot, chilled and room temp water dispenser (Four complete units);</li><li>➤ 304 Grade Stainless Steel Single Square Bowl Kitchen Sink (of min. size 24 x 18 x 9 Inch) with satin finish (two units);</li><li>➤ Heat Auto Clean Chimney of min. dimension 90 cm, 1200 m<sup>3</sup>/hr of flow rate with hood crest of filterless type with touch &amp; gesture control and black in colour (One complete unit);</li><li>➤ 260 L (min) 3 Star Inverter Linear Frost-Free Double Door Refrigerator (Two unit)</li><li>➤ 45 ltrs (min) direct cool mini refrigerator (Three units);</li><li>➤ 21 L (min) All In One Convection Microwave Oven (three units);</li><li>➤ 650-Watt Drip Coffee Maker (Three units);</li><li>➤ 1.5 Litre Kettle 1500-watts (Four units);</li></ul> |
|--|

➤ Tea Set Bon China (Six sets) and Cutlery Set (Five sets).

**E. Other furniture and fittings etc:**

**E.1 Public seating arrangement as per the attached drawing (Four numbers in total required)**

|   |  |
|---|--|
| ➤ Type:   | Three seater type public seating arrangement as per the attached drawing |
| ➤ Minimum overall size:1850mm length, total height 770mm, depth 750mm for 3 seated chair and seat height: approx. 400mm   |  |
| ➤ Under-structure : It should be made of SS J4/ equivalent Grade tube of min (Ø 44 mm. x 1.5 mm) thickness; TIG welded all-around joints with grind and buffed finished   |  |
| ➤ Seat & back framing: The mounting frames of 2 Nos. should be there to connect the side frames; the mounting frame should be made of MS ERW tube of min. size (Ø 50mm & 30mm) black painted.   |  |
| ➤ The seat /back should be mounted on min. size of (40 x 20 x 2 mm) MS rectangular tube which should be welded on the beam of seat / back mounting frame.   |  |
| ➤ Seat & back foaming: The seat / back assembly should be made from min. of 12 mm thick plywood insert with polyurethane foam of min. density $45\pm 2$ Kg/m <sup>3</sup> and hardness of $20\pm 2$ on Hampden machine at 25% compression with wood inserts for ensuring long life and optimum comfort to the users. The complete seat & back cushion should be upholstered with good quality fabric. |  |

**E.2 Foldable display board (Two numbers in total required)**

|   |  |
|---|--|
| ➤ Type:   | Foldable display board for the purpose of public display |
| ➤ Foldable type floor standing display board of min. size of (56.0" x 72"), minimum of 70" high back wall should be in an accordion style folding unit that should be arranged into different positions such as a 3-Dimensional triangle and a traditional tri fold stance etc. |  |
| ➤ If the portable hook & loop display board is not in use, it should be stored in the foldable position.  |  |
| ➤ The frame should be of MS frame with powder Coat.   |  |
| ➤ The display board should be covered with good quality fabric or foam for pin up;  |  |
| ➤ The hook and loop with receptive fabric on either side of the display board and should have a quick mounting solution for easy assemblies in which accessories such as flyers, brochure holders, and magazine pockets can be affixed.   |  |

**E.3 Wall hanging type display (Three numbers in total required)**

|  |                           |
|--|---------------------------|
| ➤ Type:  | Wall hanging type display |
| ➤ Wall Hanging type display with minimum dimension of 5 x 4 feet with light weight alluminium anodized frame with good quality polyester for pin up and backing with high density fibreboard |                           |

**E.4 Stand type display (Three numbers in total required)**

|  |                          |
|--|--------------------------|
| ➤ Type:  | Stand type display board |
| ➤ Display board with two pole stand of min. dimension of 5x 4 feet display board with a stand height of 4 to 5 feet with 304 grade SS stand and boom stand to hold the display |                          |

**E.5 Pedestal display stand (Ten numbers in total required)**

|   |                             |
|---|-----------------------------|
| ➤ Type:   | Pedestal type display stand |
| ➤ Display Board with pedestal stand of min. dimension of 2x1 feet display board with a stand height of 4 to 5 feet with 304 grade SS boom stand to hold the display |                             |

**E.6 Wall unit display with top lighting arrangement (Ten units required)**

|         |   |
|---------|---|
| ➤ Type: | Wall unit display with top lighting arrangement of size 4ft by 3 ft   |
| ➤       | Wall unit display fixing of min. 12 mm MR Board (ISI) and fixing of high density fiber board and good quality fabric for pin up of papers , with edge finishing with PU polish and fixing of good illumination spot light for front lighting of displays. |

**E.7 Indoor wall fountain (One unit required)**

|         |  |
|---------|--|
| ➤ Type: | Indoor wall fountain as per the specification below  |
| ➤       | Indoor wall fountain with minimum dimensions: 69"H x 78"W x 6"D with minimum of 10 mm toughened glass with all required pump and drainage system |
| ➤       | Should include LED illumination of below 4K, Soft white LED bulb 2700K-3000K,  |
| ➤       | Polished river pebbles for decoration ,  |
| ➤       | Hardware to hang on a sheetrock wall, durable powder coat finish on all painted metal trim   |
| ➤       | The colour to be approved after awarding the order   |

**E.8 Indoor wall mounted flower vase system (Three units required)**

|         |  |
|---------|--|
| ➤ Type: | Indoor wall mounted flower vase system   |
| ➤       | Indoor floor pot with pot size of minimum dimensions: top dia (front) 5 inches x (side) 5.25 inches, hook side (back) height 4 inches, front height 5 inches, bottom dia 3.5 inches x (side) 3 inches. |
| ➤       | Hook bottom 1 cm to top. 5 cm.   |
| ➤       | Weight 100 grms or less for each pot   |
| ➤       | With back holding system made with MS strip of minimum dimension of 25mm x 3mm strip with proper anchoring in wall and should be able to hold upto 50 pots with mud.                                   |

**E.9 Indoor flower pot rack (Three units required)**

|         |   |
|---------|---|
| ➤ Type: | Indoor wall fountain as per the specification below   |
| ➤       | Indoor flower pot rack with MS Frame with powder coated and minimum dimension of: width- (32.5 inch / 82 cm) x Breadth (24 inch / 61cm) x Height (32.5 inch / 82 cm), |
| ➤       | Weight Capacity: upto 100 kg with mud and pots  |
| ➤       | Pot colour to be provided after awarding the order  |

**E.10 Stackable and rotational type file rack (Three units required)**

|         |  |
|---------|--|
| ➤ Type: | Stackable and rotational type file rack  |
| ➤       | 3 tyre / stack system required   |
| ➤       | Minimum Capacity: 72 box file and 300 flat files   |
| ➤       | Pedestal: Heavy pedestal base with minimum 5 legs  |
| ➤       | Minimum dimension: diameter 780 mm and height 1490 mm; Minimum of six partitions per tyre                  |
| ➤       | Each tyre should revolve independently on heavy duty bearing and should be made up of ABS Plastic material |

**E.11 Back or Display Unit as per the attached drawing (Two units required)**

|         |   |
|---------|---|
| ➤ Type: | Wooden type back or display unit as per the attached drawing  |
| ➤       | Providing and fixing box type back unit or display unit of size 18" depth, 7 feet & 3inch height and 11 feet & 10 inch width;                           |
| ➤       | Should be made out of min. 19 mm thick BB of BWP type; the shutter should made out of min. 19 mm thick BB of BWP type with min. 8mm thick sliding glass |



- |  |
|--|
| ➤ It should have 2 self , inside cover by min. 1 mm thick laminated and all outer edge cover by edge bending or melamine polish and necessary hardware |
|--|

#### **E.12 Key Cabinet (Two unit required)**

|   |  |
|---|--|
| ➤ Type:   | Key cabinet with glass / acrylic enclosure |
| ➤ Capacity: Minimum 50 keys                             |  |
| ➤ Complete powder coated steel.                         |  |
| ➤ Back plate with key holder.                           |  |
| ➤ Should have the provision of holding longer keys      |  |
| ➤ Individually numbered key holders should be included. |  |
| ➤ Acrylic lockable cover.                               |  |

#### **Terms & Conditions:**

1. The interested bidders who want to participate in the EOI and who have some prior experience, are requested to submit their EOI through e-Tender or through mail ([spo@neist.res.in](mailto:spo@neist.res.in)) up to 11:00 A.M., 2<sup>nd</sup> December, 2021 with the following documents (scanned copy):
  - (A) **Technical Offer with related details.**
  - (B) **Documents related with concerned technical literature/brochure.**
  - (C) **Documents of prior experience in the related field.**
  - (D) **Declaration on Land Border Sharing Countries with India in the given format (on letter head)**
  - (E) **Self Certification for Make in India that at least 20% Indian Content is there in the offered system (on letter head) in the given format.**
2. The offers will be opened on 3<sup>rd</sup> December, 2021 at 11:00 A.M. and evaluated first on the basis of the technical credential of the party, if required presentation will be taken from the parties.
3. One Limited Tender will be floated later on for the bidders who will participate in this particular EOI (Expression of Interest) and accordingly, the contract will be awarded to the successful bidder amongst the participating bidders as per the decision of the competent authority. CSIR-NEIST, Jorhat authority reserves the right to take decision on the above.

S/d.

भंडार एवं क्रय अधिकारी

Stores & Purchase Officer

For and On Behalf of the Council of Scientific & Industrial Research

Tel: 91 – 0376 – 2372710, E-mail: [spo@neist.res.in](mailto:spo@neist.res.in)

**FORMS**

**(To be submitted along with the EOI)**

**1. Self Certification for Make in India**

**[Affidavit of Self certification regarding Minimum Local Content in line with DPIIT order, dated 16<sup>th</sup> September, 2020, to be provided on a non-judicial stamp paper of Rs. 100/-]**

**Date: ...../ ...../20....**

I, \_\_\_\_\_ S/o, D/o, W/o, \_\_\_\_\_ Resident of \_\_\_\_\_  
hereby solemnly affirm and declare as under:

That I agree to abide by the terms and conditions of the Department for Promotion of Industry and Internal Trade (Preference to Make in India) Order, 2020 (*hereinafter DPIIT order*) of Government of India issued vide Notification No:P-45021/2/2017/PP (BE-II) dated 16/09/2020, and its any subsequent modifications/Amendments, if any.

That the information furnished hereinafter is correct to the best of my knowledge and belief and I undertake to produce relevant records before the procuring entity i.e. CSIR-NEIST or any authority so nominated for the purpose of assessing the Local content of goods/services/works offered by me against this NIT.

That the local content for all inputs which constitute the said goods/services/works has been verified by me and I am responsible for the correctness of the claims made therein.

That the goods/services/works offered by me for ..... (*Enter the name of the Equipment/Item for Project*) meets the 'Minimum Local Content 'as defined in the PPPMII order.

That I understand that in the event of the local content of the goods/services/works mentioned herein is found to be incorrect and not meeting the prescribed Minimum Local Content criteria, based on the assessment of procuring entity i.e. CSIR-NEIST or any authority so nominated for the purpose of assessing the Local content, action shall be taken against me in line with the DPIIT order and provisions of the Bidding Documents.

That I agree to maintain the following information in the Company's record and shall make this available for verification to any statutory authority.

The particulars/details of Local Content are as under:

- i. Name and details of the Local Supplier  
(Registered Office, Manufacturing unit location, nature of legal entity) .....
- ii. Goods/services/works for which this declaration/affidavit is produced .....
- iii. Procuring entity to whom this declaration/affidavit is furnished .....
- iv. Percentage of local content declared/certified .....

**(Note: The Bidders offering imported products will fall under the category of Non-local suppliers. They can't claim themselves as Class-I local supplier/ Class-II local supplier by claiming profit, warehousing, marketing, logistics, freight etc. as local value addition.)**

For and on behalf of..... (Name of firm/entity)

**Authorized signatory** <Insert Name, Designation and Contact No.>

**2. Declaration regarding Land Border Sharing Countries**

**(On Bidder's Letter Head)**

**"I have read the tender document no. .... Along with clause regarding restriction on procurement from a bidder of a country which shares a land border with India in accordance with the Govt. of India notification no. 6/18/2019-PPD(Public Procurement No.1) dated: 23.07.2020 and no. 6/18/2019-PPD(Public Procurement No.2) dated: 23.07.2020 by Ministry of Finance. Accordingly, I hereby certify that**

|  |  |
|--|--|
| <b>"this bidder is not from such a country and is eligible to be considered"</b> |  |
|--|--|

**Or**

|  |  |
|--|--|
| <b>"this bidder is from such a country but is registered with the competent authority and the related document is attached and thus eligible to be considered"</b> |  |
|--|--|

**Or**

|   |  |
|---|--|
| <b>"this bidder is from such a country but to this country, Govt. of India extended lines of credit notified by Ministry of External Affairs and the related document is attached and thus eligible to be considered"</b> |  |
|---|--|

**[Tick or write 'YES' in the appropriate box]**

**(Bidder for the purpose of this order (including the term 'tenderer', 'consultant', 'vendor' or 'service provider' in certain contexts) means any person or firm or company, including any member of a consortium or joint venture (that is an association of several persons, or firms or companies), every artificial judicial person not falling in any of the descriptions of bidders started herein before, including any agency, branch or office controlled by such persons, participating in a procurement process.)**

**Authorized signatory**

**Name:**

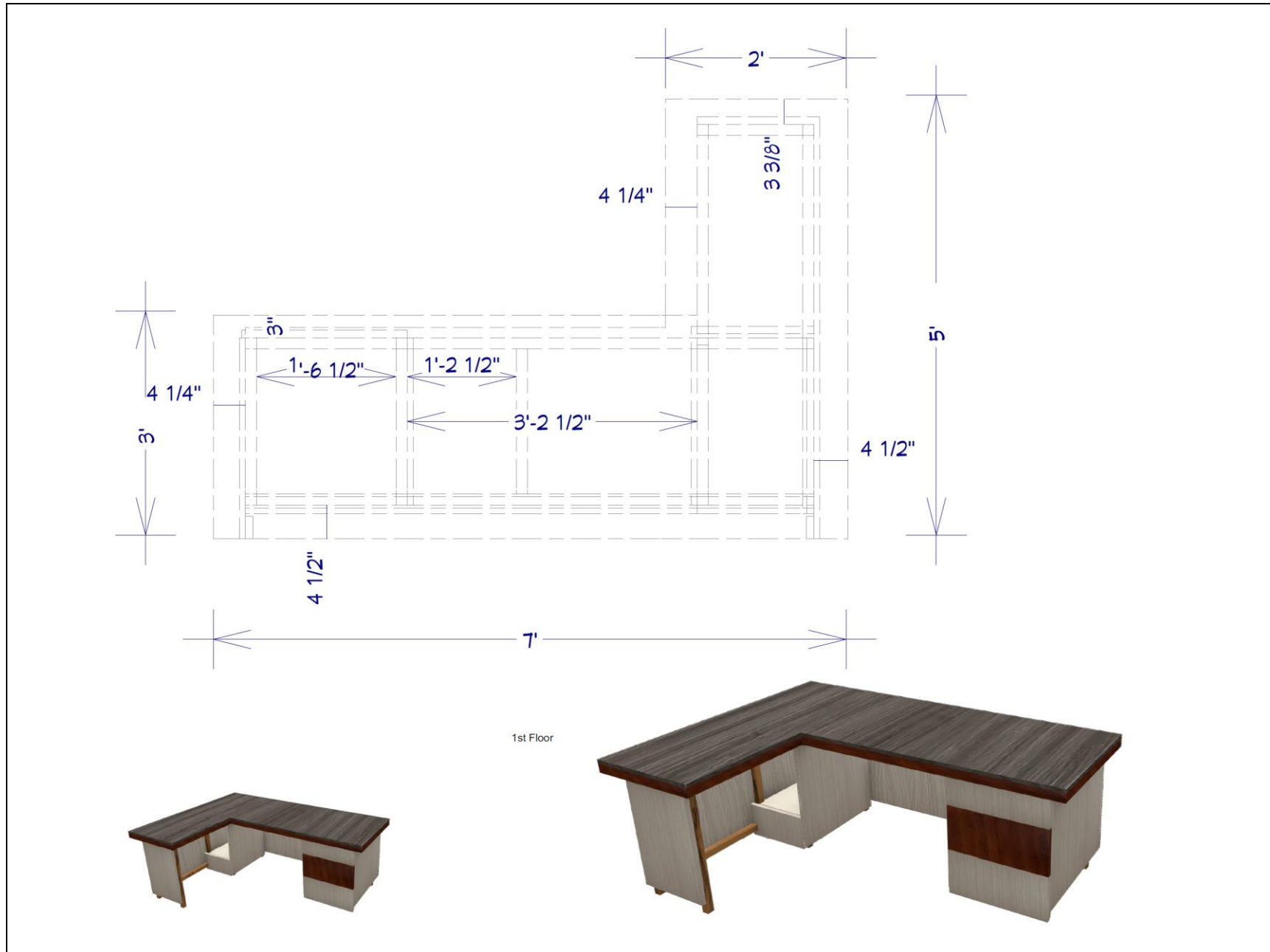
**Designation:**

**Contact No:**

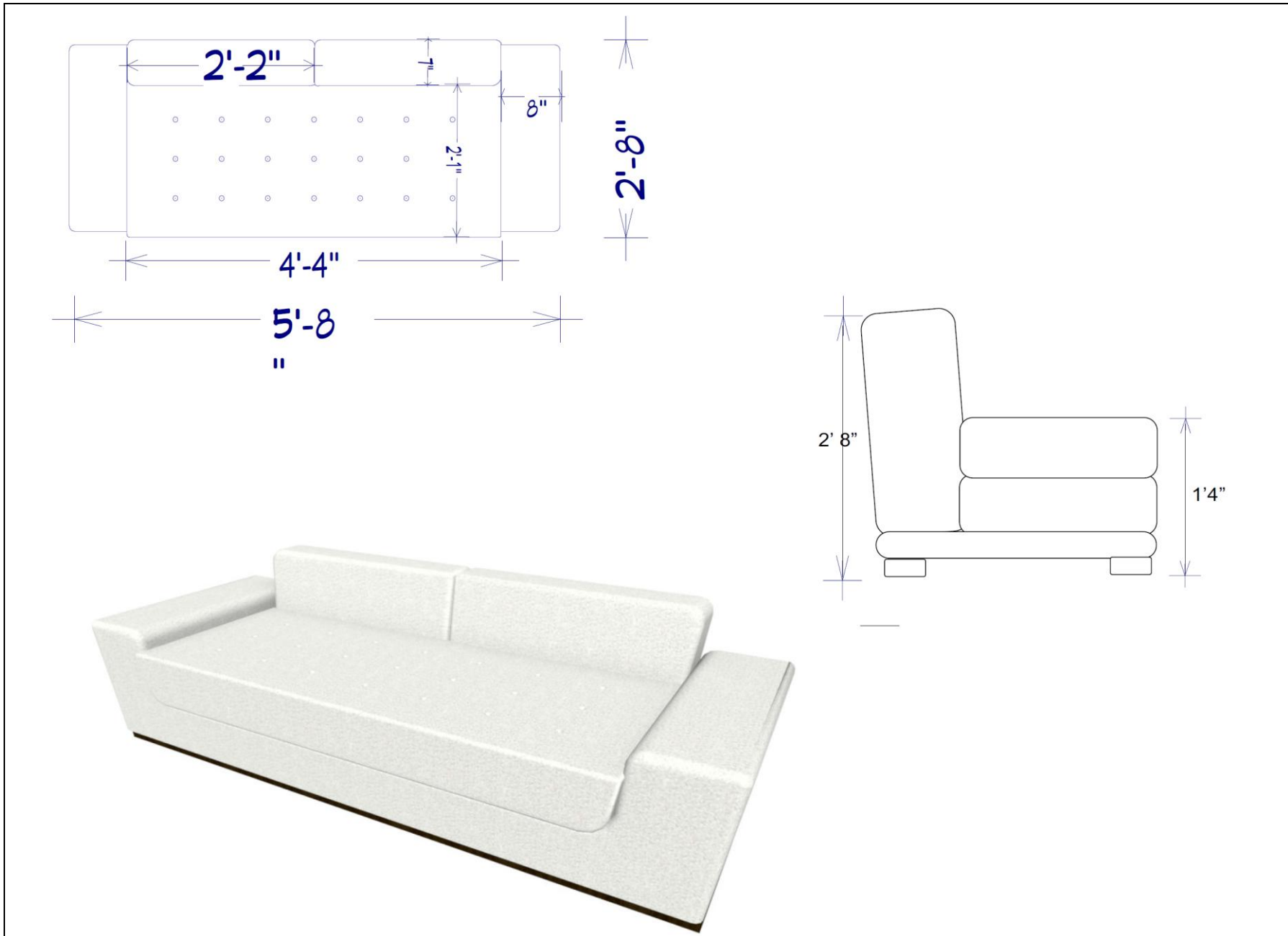
**Email Id:**

**Other details:**

Fig. 1 for the item A.1:



**Fig. 2 for the item A.4:**  
**Two Seater Sofa:**



Three Seater Sofa:

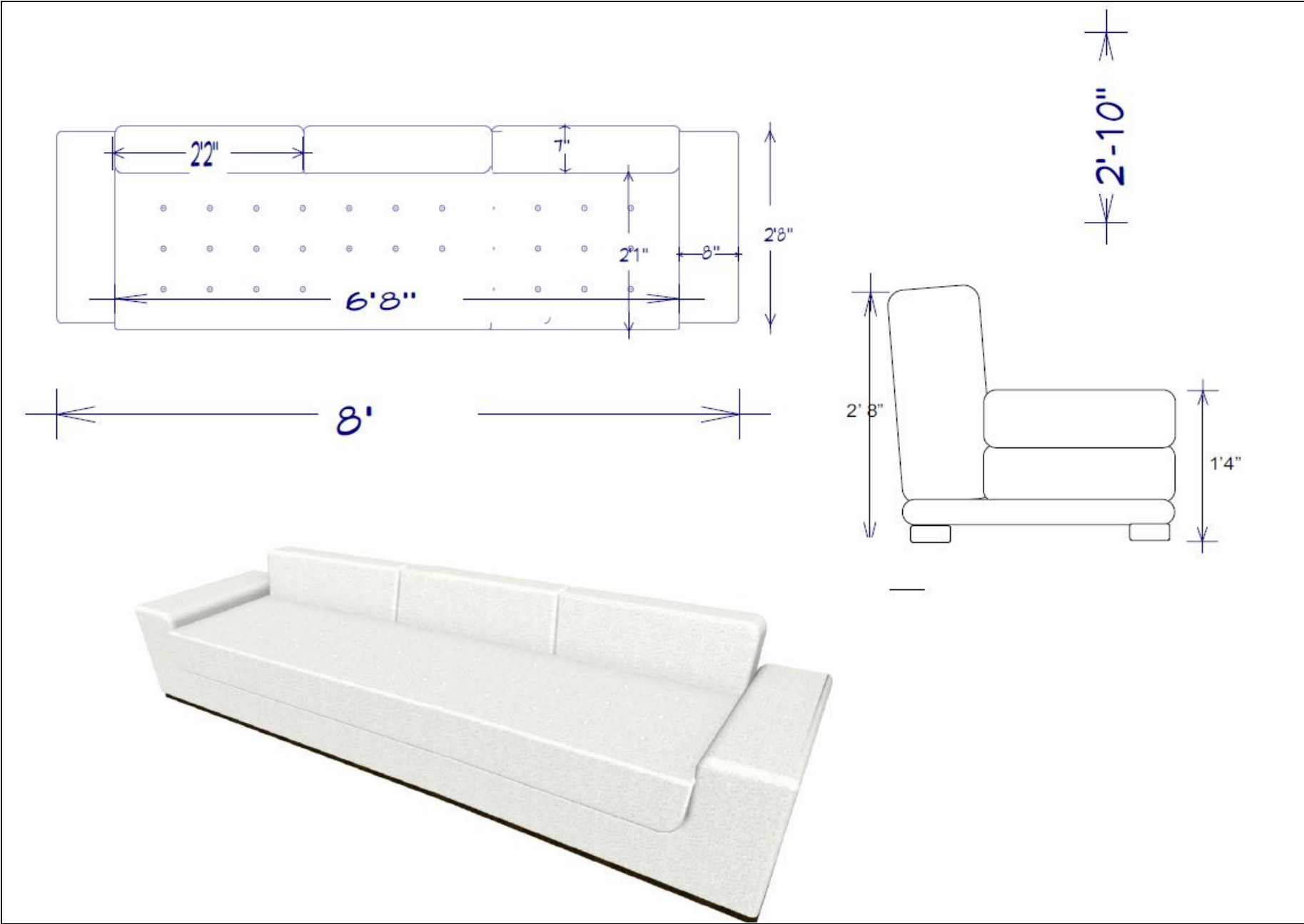


Fig. 3 for the item A.5:

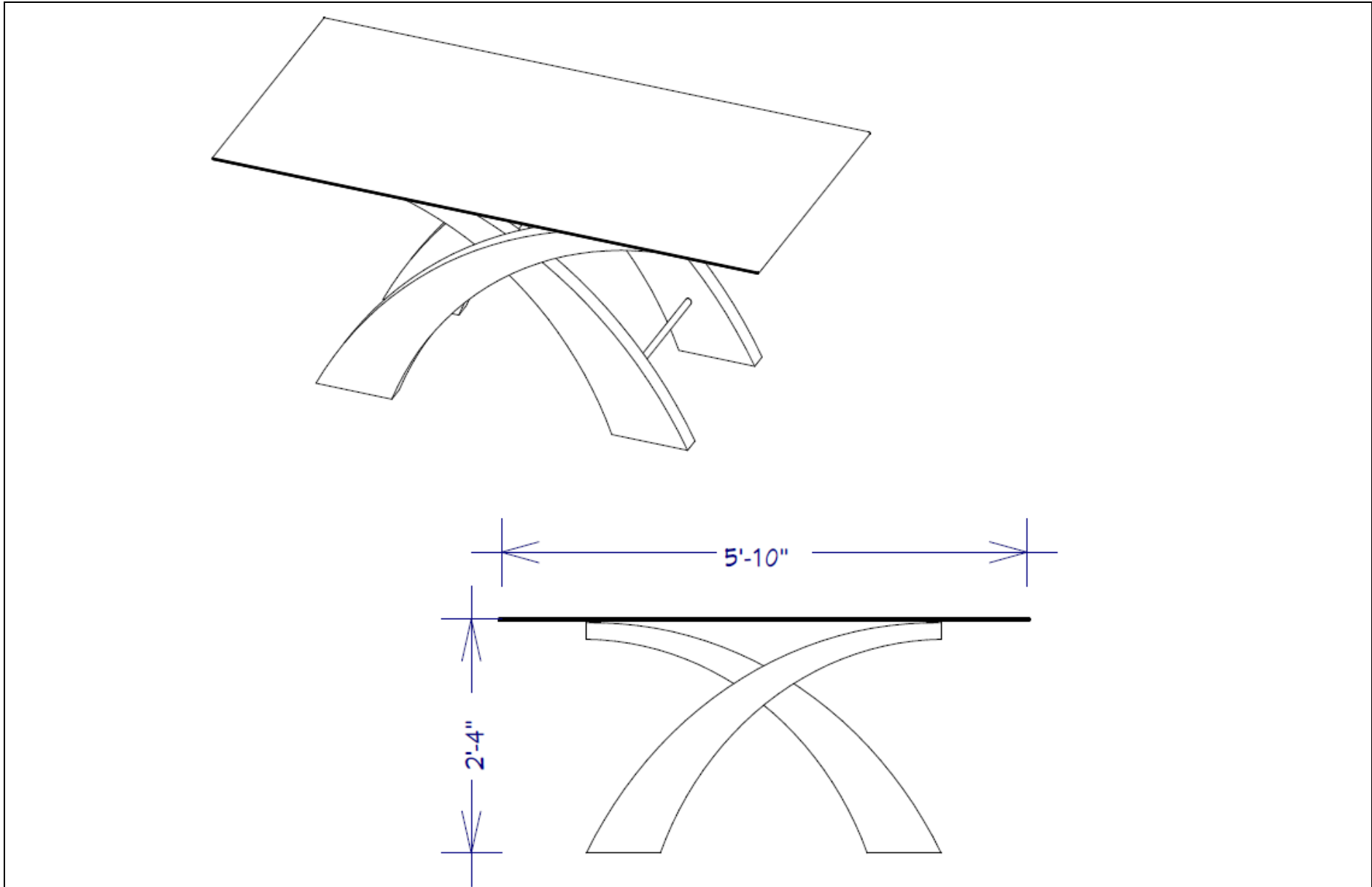


Fig. 4 for the item A.6:

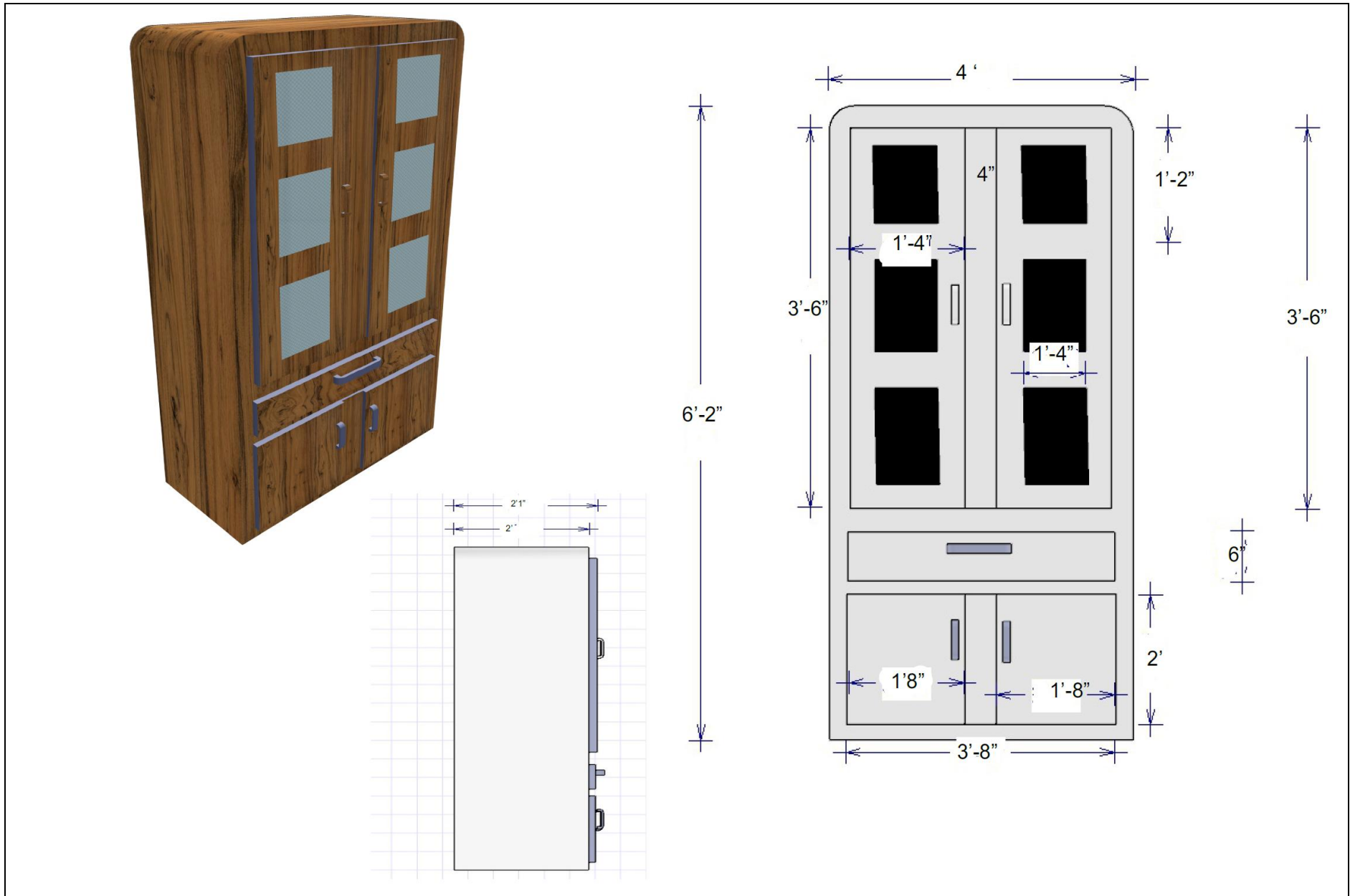




Fig. 5 for the item A.7:

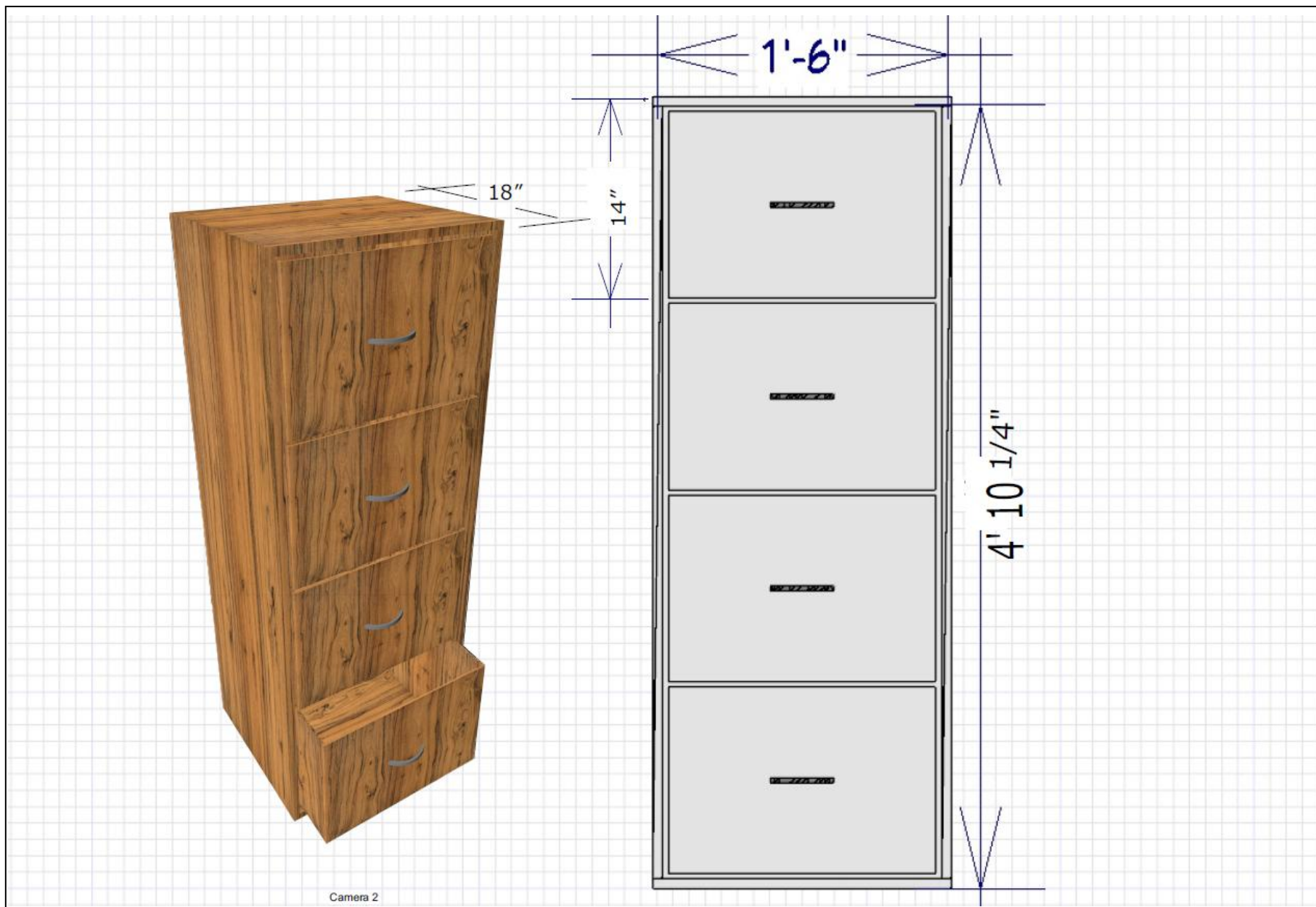


Fig. 6 for the item A.8:

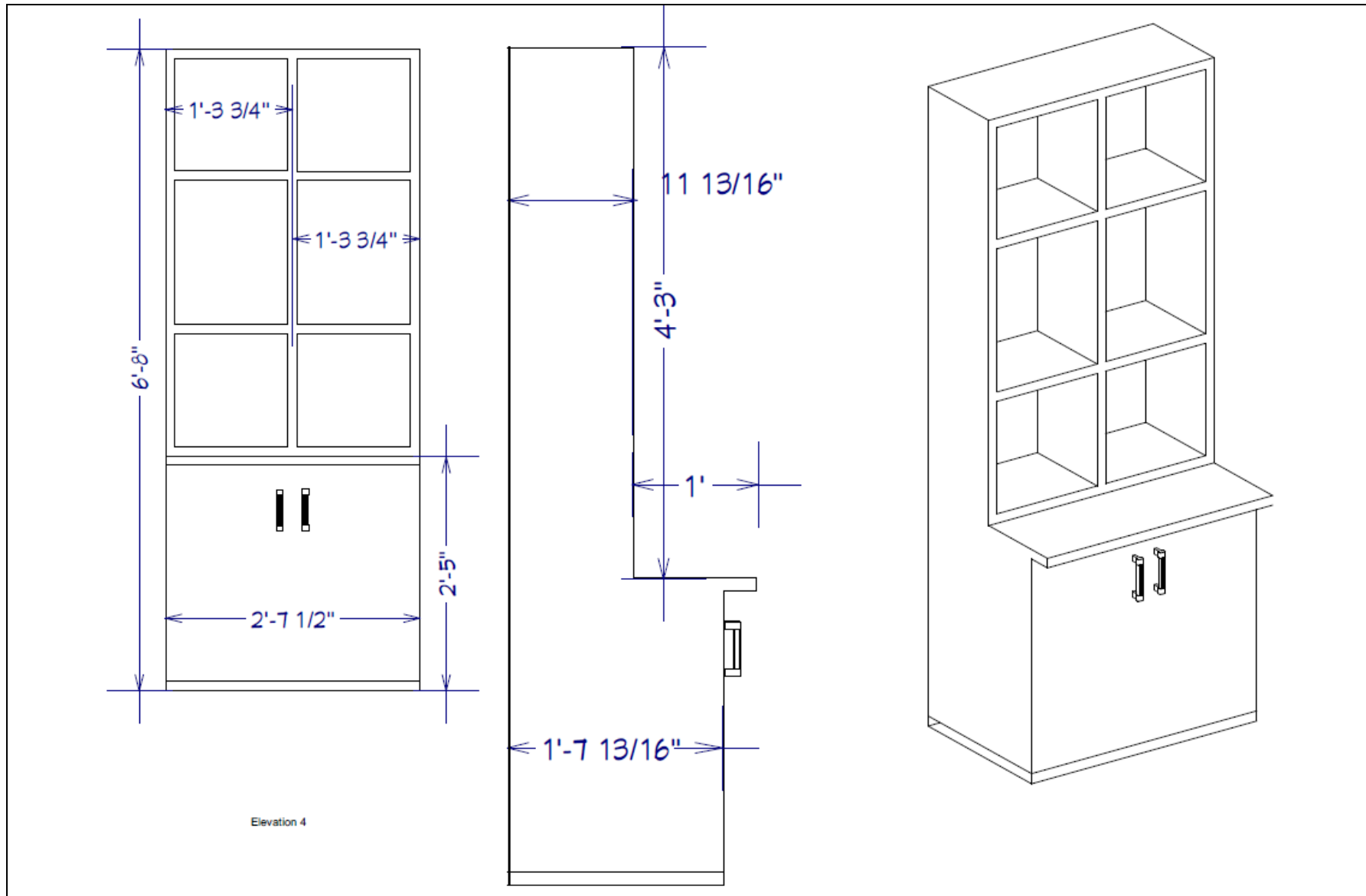


Fig. 7 for the item A.9:



Fig. 8 for the item B.1:

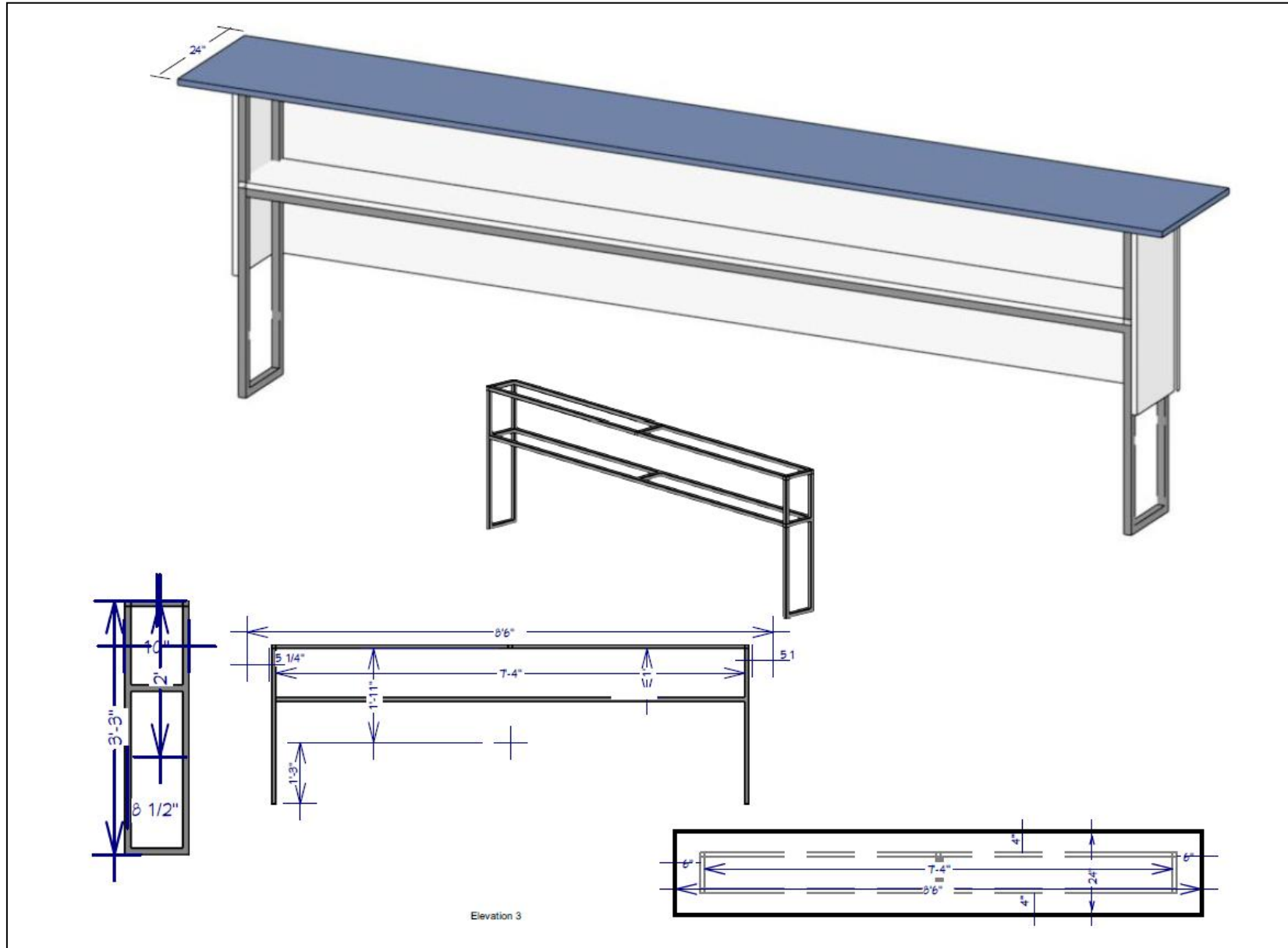


Fig. 9 for the item B.3:



Fig. 10 for the item C.1:

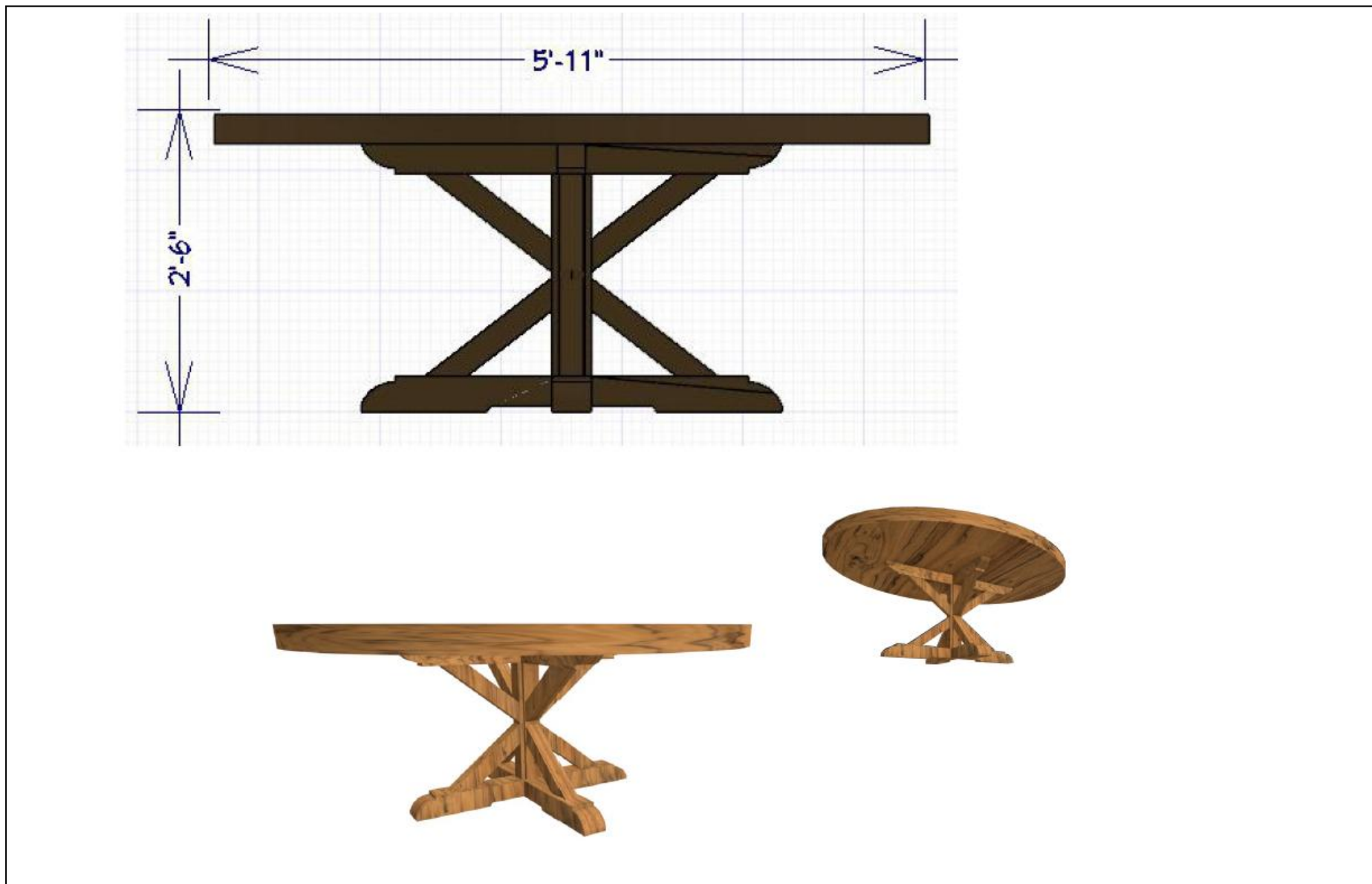
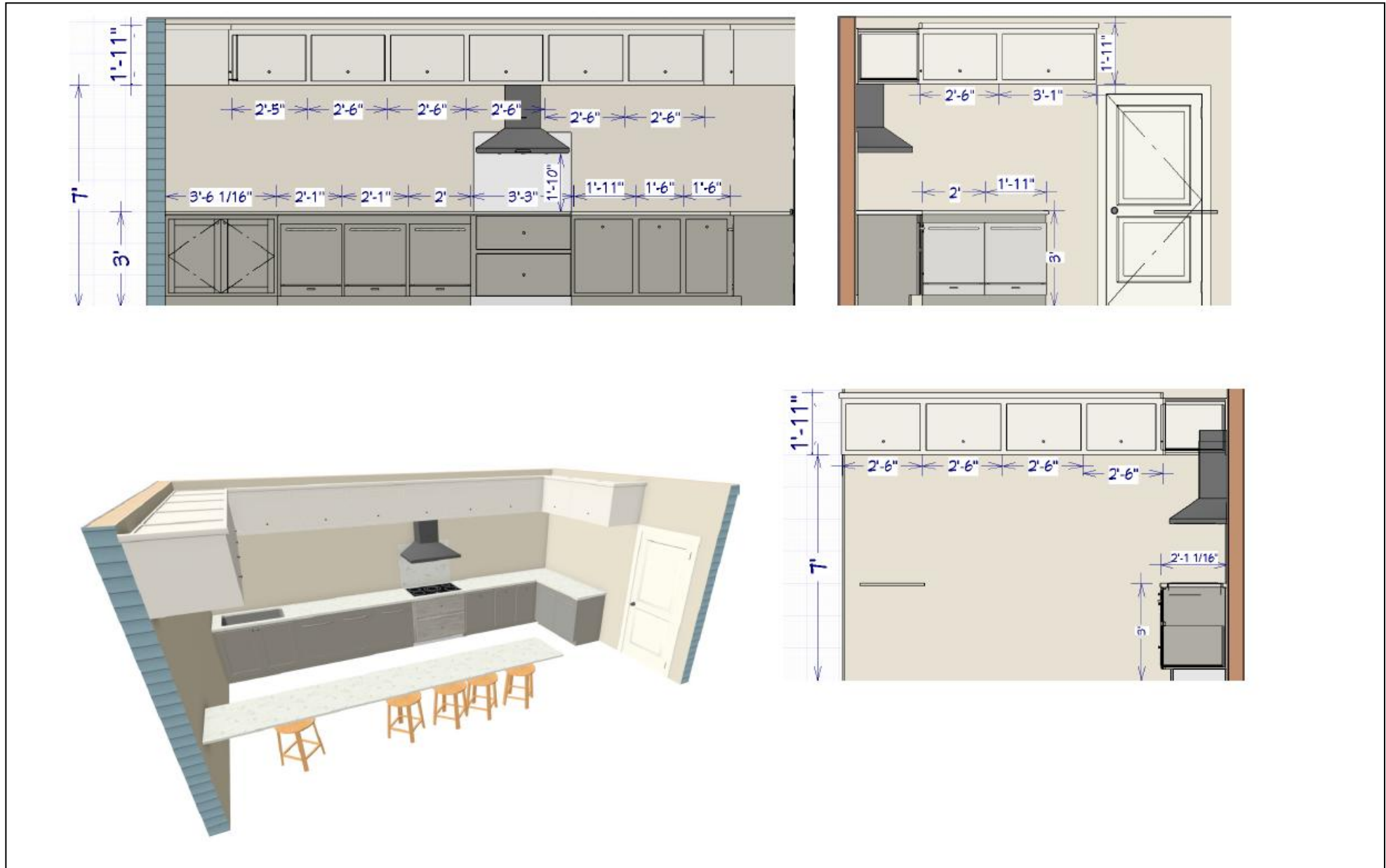




Fig. 11 for the item D:



**Fig. 12 for the item E.1:**





Fig. 13 for the item E.11:

